



# **SPARROW-B-GONE!™**

*Send your house sparrows packing!*




## **Sparrow-B-Gone!™\* for Birdfy 1™\***

### **Model SBG-SFY1**




Thank you for purchasing Sparrow-B-Gone!™ - your house sparrows' worst nightmare! Sparrow-B-Gone! Model SBG-SFY1 is specifically designed to work with the Birdfy Feeder 1 product. When fully installed, this is what a Birdfy 1 feeder with Sparrow-B-Gone! looks like:



### **In your package:**

		
Sparrow-B-Gone!	Roof Sizing Tool*	Roof Mount System Parts

\* Sparrow-B-Gone! is a trademark of Synnovation LLC. Birdfy is a registered trademark of Netvue Inc. Sparrow-B-Gone! is not an official add-on of any Netvue Inc. product and Synnovation LLC is not in any way affiliated with, sponsored, or endorsed by Netvue Inc.

		
Connecting Rod	Top Cap	Screwdriver

\* Note: The Roof Sizing tool is made of a special material that are biodegradable without leaving micro-plastics in the soil.

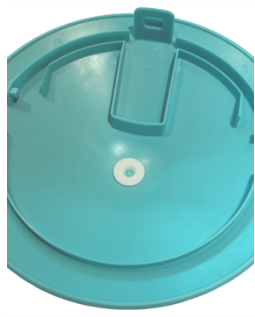


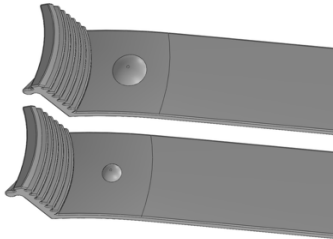
**Step 1: Attach Roof Mount Base to your Birdfy Feeder**

If your Birdfy feeder is already outside and in use, we strongly recommend bringing it inside to install Sparrow-B-Gone!

Sparrow-B-Gone for Birdfy attaches to the top center of the roof. The design consists of a roof mount system that is clamped to the top of the Birdfy roof, a connecting rod that can easily be inserted into or removed from the roof mount system, and a four-arm version of Sparrow-B-Gone that is connected to the top of the connecting rod.

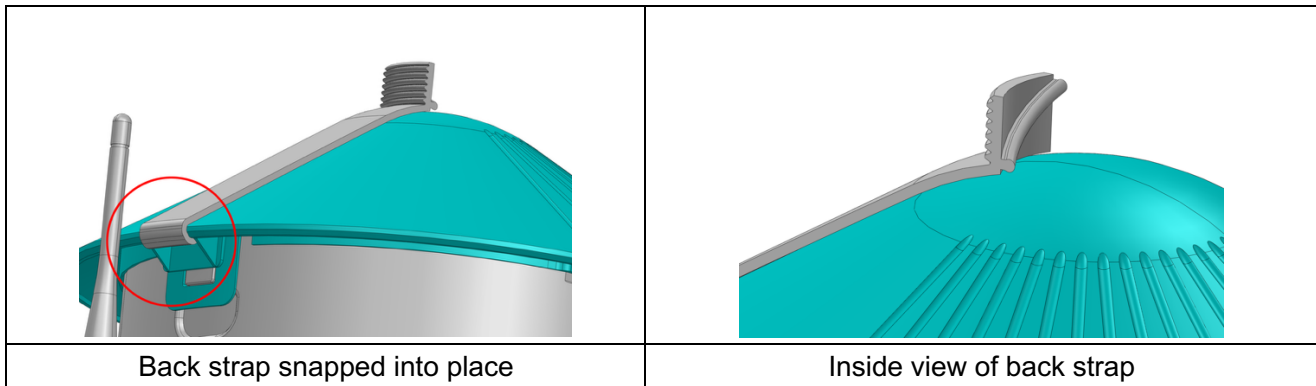
Connecting the roof mount system to the roof of the Birdfy feeder is very straightforward. **Unfortunately, we recently learned that there are two very slightly different versions of the roof!** Our system is designed to easily snap on to the roof and fit very snugly. While the differences between the two roofs are small, they are different enough that we now include two different back straps so you can get the correct fit. The good news is that there is an easy way to tell them apart.

Look at the pictures below. We now include a thin 1” diameter roof sizing tool with the product. The first picture shows the underside of the roof of the Birdfy 1 feeder. In the center of the bottom of the roof is a small, raised dot. The first picture shows where to place the roof sizing tool. The beveled part in the center should be visible. The original Birdfy 1 roof had a dot that is about 1/8” (3mm for the metric folks). The larger dot is on the newer (and slightly larger) roofs and is almost 1/4” in size (6mm). The second and third pictures show you what it will look like with the measuring tool in place. While the two straps that fit the front of the roof are the same for either size roof, we now include two slightly different size back straps, shown in the fourth picture. Select the back strap with a matching dot size and you will be all ready to continue installing your Birdfy 1 roof mount kit.

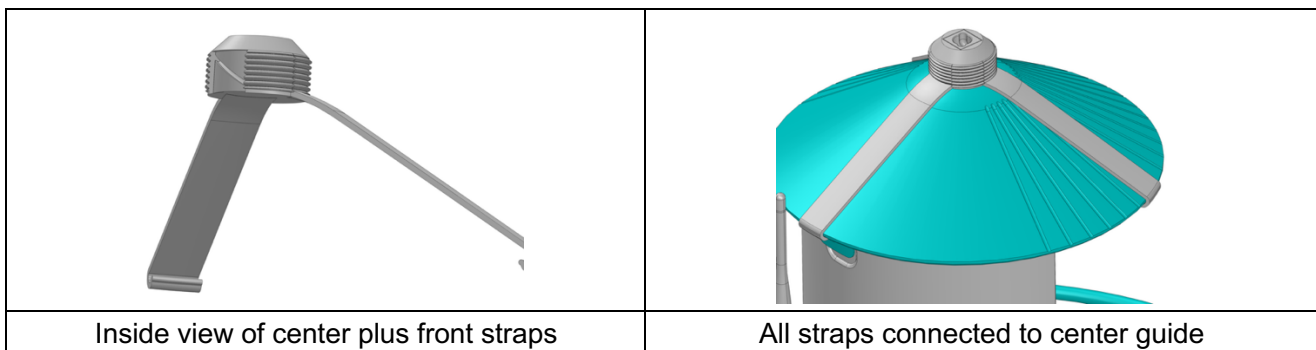
			
Roof Sizing Tool in Place	Small Dot – Small Roof	Large Dot – Large Roof	Back Straps – Large and Small

## Installing the Roof Mount Kit

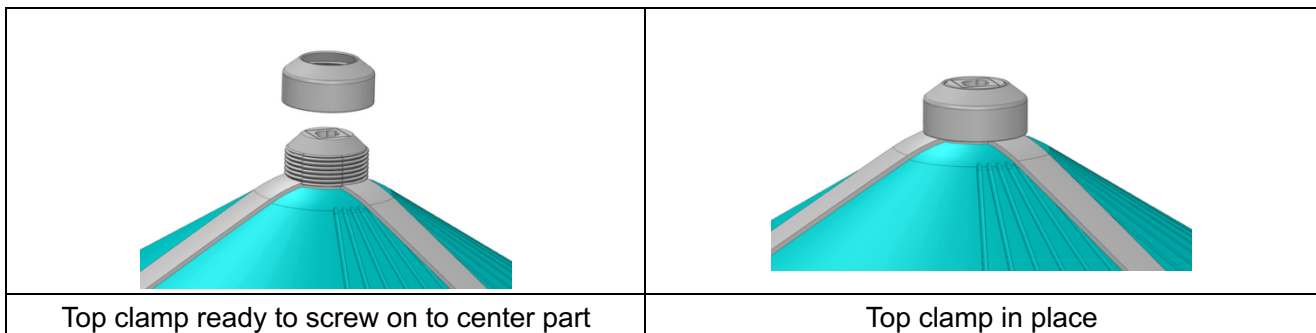
Start by snapping the correct back strap onto the back of the Birdfy roof, as shown in the first picture below. If you look at the second picture, you will see that there is an angled projection on the inside of the back strap.



The other major part of the roof mount system consists of two straps that are pre-connected to a center part, as shown in the third picture. If you look closely, you will see that there is a matching groove on the inside of the center part. The second step is to snap the center part plus two front straps onto the front of the Birdfy roof (the part with the grooves). You should hear the ends of the straps click into place. Align the center part with the back strap and push everything together. It should look like the second picture below.

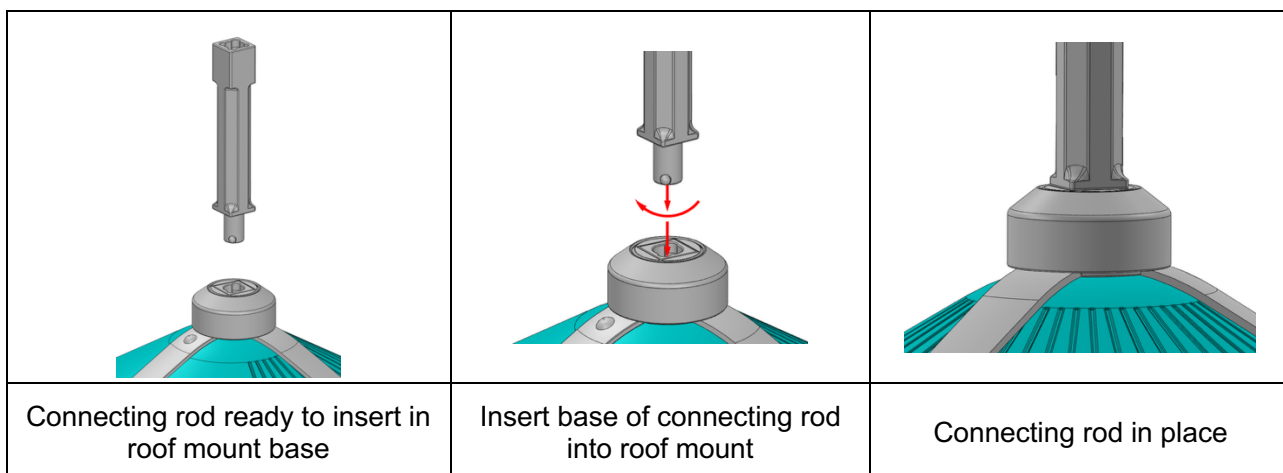


The final assembly step is to screw the top clamp into place. Tighten it firmly until everything is locked into place and not moving around.



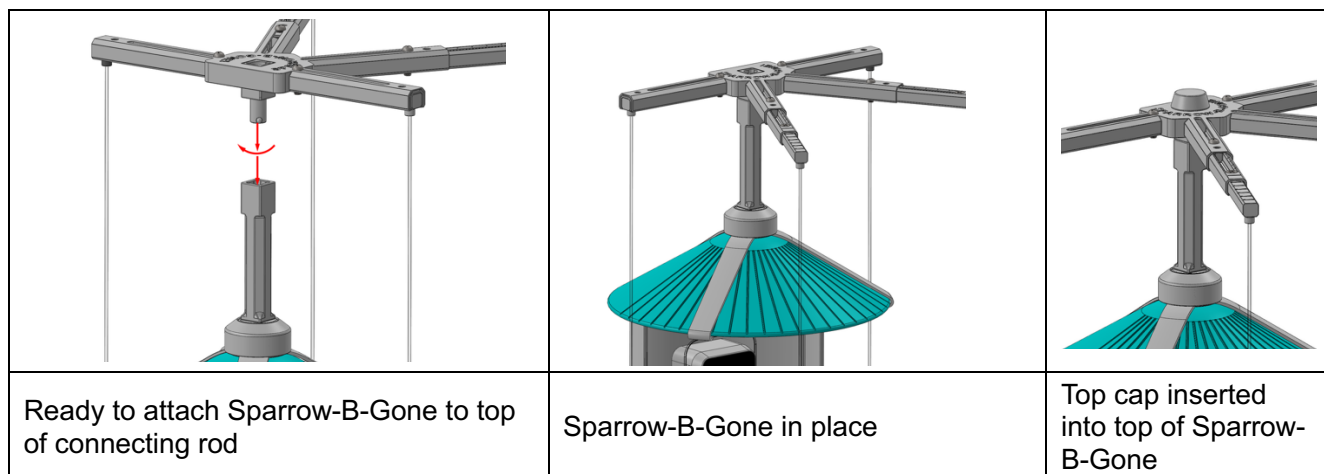
## **Step 2: Attaching Connecting Rod to Roof Mount Base**

To make it easy to fill and clean your Birdfy feeder, Sparrow-B-Gone use a simple socket-based connecting system that makes it very easy to connect or disconnect parts. Once the roof mount base is in place, the next step is attaching the connecting rod to the roof mount base. This is done by inserting the bottom of the connecting rod into the socket, rotating it 1/4 turn, and then pushing it down into place as shown in the left picture below. Separating the connecting rod from the roof mount base is done by reversing this process: pull the bottom of the connecting rod up slightly, rotate it 1/4 turn the other direction, and it easily will lift out of the roof mount base.



## **Step 3: Attaching Sparrow-B-Gone! to Connecting Rod**

Once the connecting rod is attached to the roof mount base, the next step is attaching the main part of the Sparrow-B-Gone product to the top of the connecting rod. This uses the same simple attachment system as is used to attach the connecting rod to the roof mount base, as is shown below. Start by rotating the four-arm top as shown in the first picture below. As you push it in, it will rotate 90 degrees and drop into place in the correct orientation, as shown in the second picture. The final step is to add the top cap to cover the socket on the top of the main Sparrow-B-Gone product using the exact same push-twist-push motion.



At this point, you might be wondering why there is a socket on top of the Rain-B-Gone product. We will soon be releasing a new product line called Katie Tops™ that are fun and colorful toppers that drop into the top

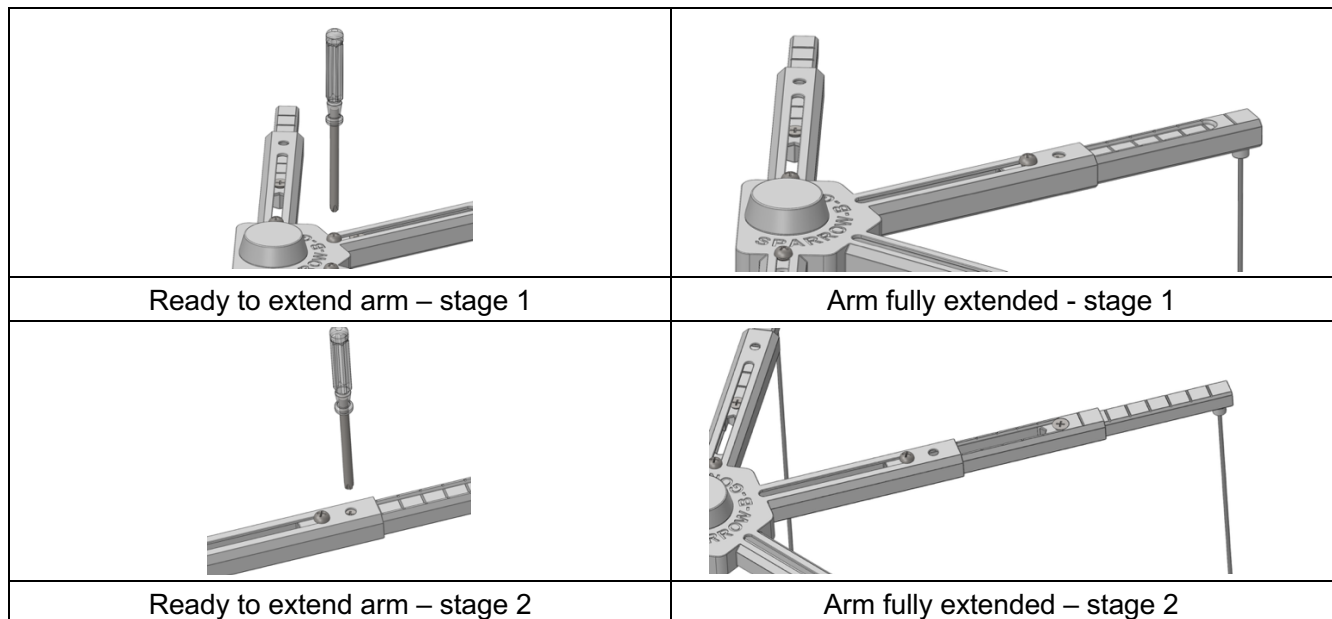
socket and are easily changed out for different ones. There will be Katie Tops with a seasonal focus as well as many cute birds and other animals. Check out our Etsy store ([sparrowbgone.etsy.com](http://sparrowbgone.etsy.com)) or our website ([Sparrow-B-Gone.com](http://Sparrow-B-Gone.com)) for further details.

## **Step 4: Adjusting Sparrow-B-Gone**

### ***Changing Arm Length***

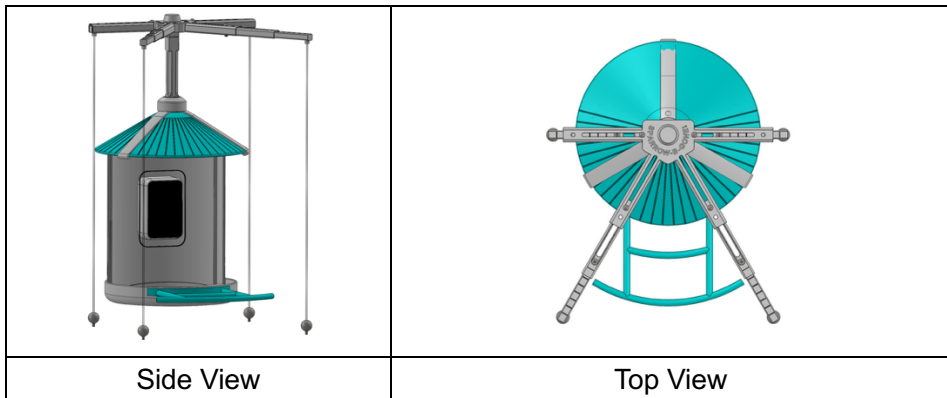
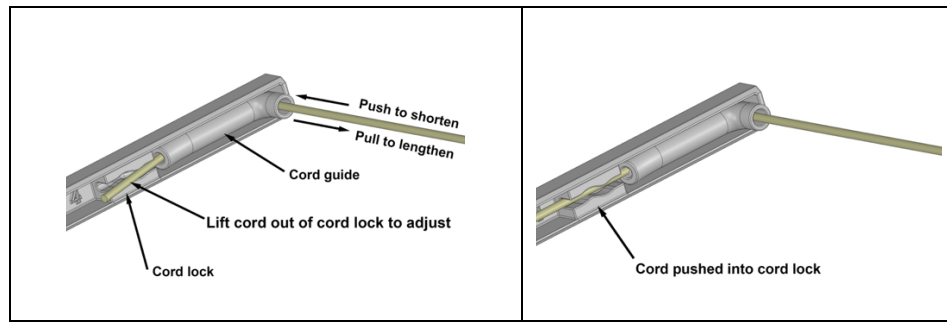
Sparrow-B-Gone has two levels of arm length extension. You can add up to 2 ½” to the length of any arm by loosening the round head Phillips head screw and pulling the two inner arm sections together to the desired length. Tighten the round head screw fully when it is adjusted to the desired size.

If you want to extend the arms even more, for example if you have added extensions to the Birdfy Metal feeding platforms, first fully extend the arms as indicated above. You will then see the head of the flat head screw used for the second stage adjustment through a small hole at the end of the outer arm. Loosen the flat head screw slightly until you can pull the inner arm out to the desired length. Then tighten the flat head screw when it is adjusted to the desired size.



### ***Adjusting cord length***

If you are using the longer universal connecting rod assembly that comes with your product, the hanging cords included with your product are already set to the length that we believe is optimum to discourage house sparrows from landing on the Birdfy Metal feeder. However, if you decide to make the cords a little shorter, adjusting the length of the cord is easy. First, lift the end of the cord out of the cord lock using your fingers or the screwdriver that came with your product. Once this is done, you can easily adjust the length of the cords by just pushing or pulling the cord where it comes out the bottom of the inner arm, as shown below. Once you are satisfied with the cord length, you should push the cord down into the cord lock and trim the excess length with heavy duty scissors or a wire cutter. We recommend that you leave at least 1/2” of cord sticking out beyond the end of the cord lock.



## What Happens Next?

As you probably know, when you first put out a new bird feeder, many birds are afraid of it. It can take up to two weeks for them to overcome their fear and start using the new feeder. The same thing may happen when you add Sparrow-B-Gone to an existing feeder. In our experience, and that of our customers, birds like gold finches, house finches, and chickadees have little or no fear of Sparrow-B-Gone and will return to the feeder quickly. Cardinals are a bit more cautious. We recommend giving it two full weeks to see how Sparrow-B-Gone will work for you. There is a 30-day return policy on the product for exactly this reason.

Also, research has shown that teenage house sparrows are not afraid of sparrow spookers like Sparrow-B-Gone! because, after all, they are teenagers! Fortunately, when they become adult house sparrows, they almost always come to their senses, think back and wonder “what was I thinking going near that scary object?” Overall, Sparrow-B-Gone should reduce your house sparrow problems by at least 90%.

**Enjoy!**

