



# SPARROW-B-GONE!™

*Send your house sparrows packing!*

## Sparrow-B-Gone!™\* for Birdfy Bamboo / Bamboo Mini™\*

### Model SBG-SFYB

Thank you for purchasing Sparrow-B-Gone!™ - your house sparrows' worst nightmare! Sparrow-B-Gone! Model SBG-SFYB is specifically designed to work with the Birdfy Bamboo or Birdfy Bamboo Mini products. When fully installed, this is what a Birdfy Bamboo / Mini feeder with Sparrow-B-Gone! installed looks like:



### In Your Package

<p>Roof mount base and screws</p>	<p>Flat roof connecting rod</p>	<p>Screwdriver</p>	<p>Sparrow-B-Gone! Four arm top</p>

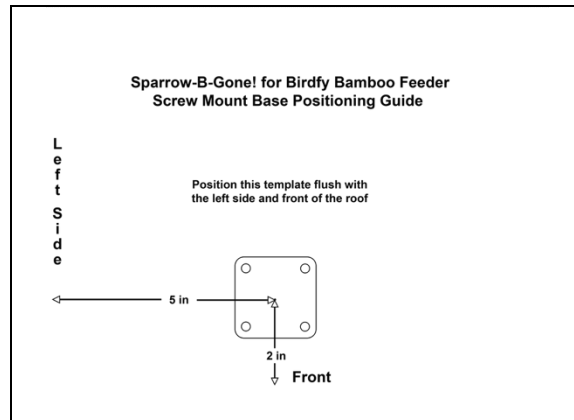
\* Sparrow-B-Gone! is a trademark of Synnovation LLC. Birdfy is a registered trademark of Netvue Inc. Sparrow-B-Gone! is not an official add-on of any Netvue Inc. product and Synnovation LLC is not in any way affiliated with, sponsored, or endorsed by Netvue Inc.

# Time to assemble your Sparrow-B-Gone! product!

Assembly is quick and easy with four simple steps:

## Step 1: Attach Roof Mount Base

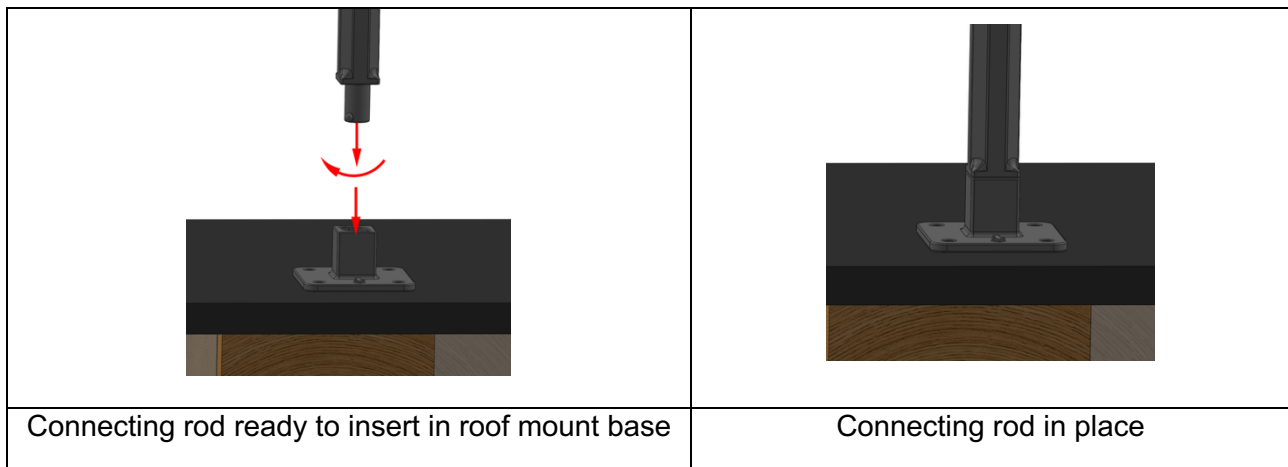
Included with your Sparrow-B-Gone! package is a double-sided drilling template. One is for the full size Birdfy Bamboo product. The other side has a drilling template for the Bamboo Mini. Here is what the template for the full-size Bamboo product looks like:



To use the drilling template, align the left and front sides of the template with the left and front sides of the roof, tape the template in place, and then use a center punch to mark the locations for drilling. Use a small drill bit to drill pilot holes for the screws and then use a Phillips head screwdriver to tighten the screws to attach the roof mount base to the roof.

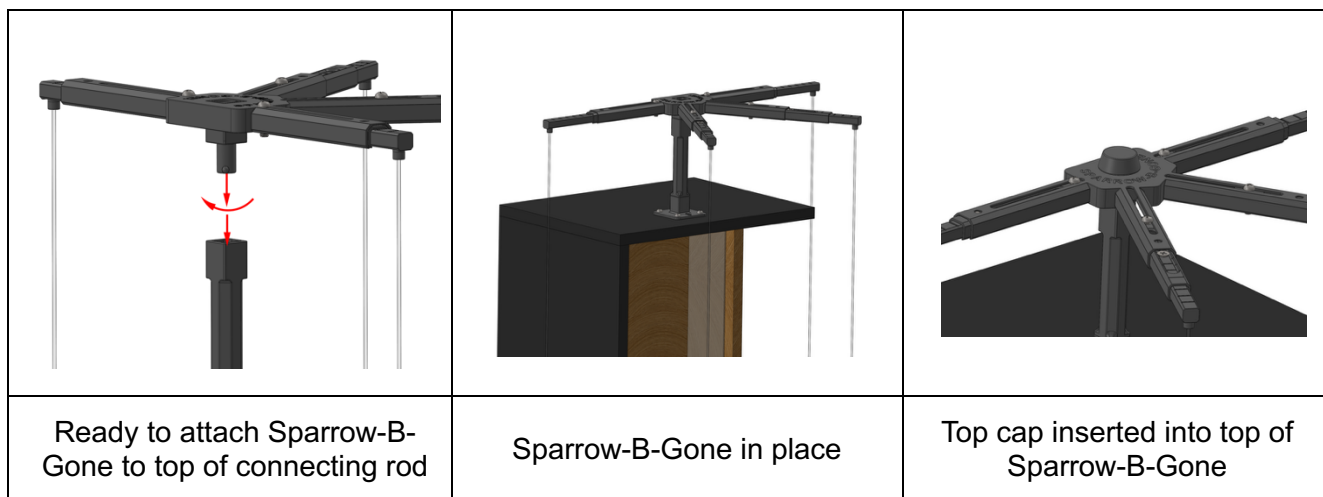
## Step 2: Roof Mount Base and Connecting Rod Assembly

To make it easy to fill and clean your Bird Buddy, Sparrow-B-Gone use a simple socket-based connecting system that makes it very easy to connect or disconnect parts. Once the roof mount base is in place, the next step is attaching the connecting rod to the roof mount base. This is done by inserting the bottom of the connecting rod into the socket, rotating it 1/4 turn, and then pushing it down into place as shown in the left picture below. Separating the connecting rod from the roof mount base is done by reversing this process: pull the bottom of the connecting rod up slightly, rotate it 1/4 turn the other direction, and it easily will lift out of the roof mount base.



### Step 3: Attach Connecting Rod Assembly to Sparrow-B-Gone

Once the connecting rod is attached to the roof mount base, the next step is attaching the main part of the Sparrow-B-Gone product to the top of the connecting rod. This uses the same simple attachment system as is used to attach the connecting rod to the roof mount base, as is shown below. Start by rotating the four-arm top as shown in the first picture below. As you push it in, it will rotate 90 degrees and drop into place in the correct orientation, as shown in the second picture. The final step is to add the top cap to cover the socket on the top of the main Sparrow-B-Gone product using the exact same push-twist-push motion.

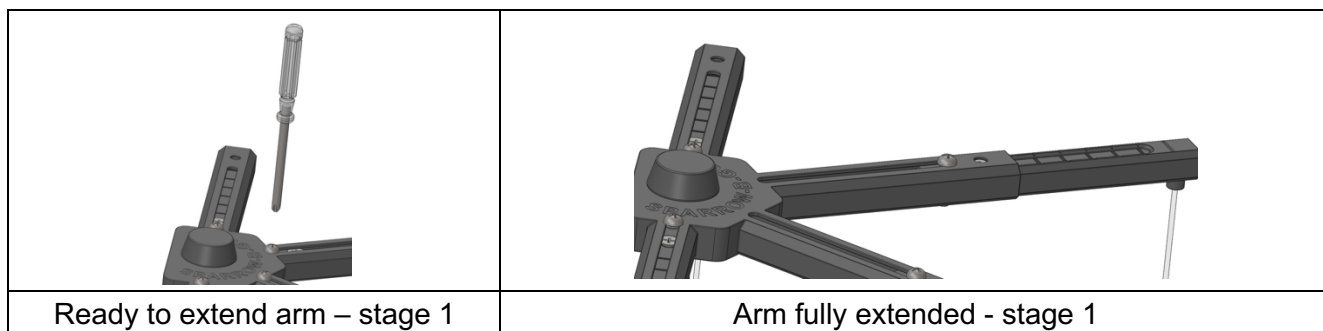


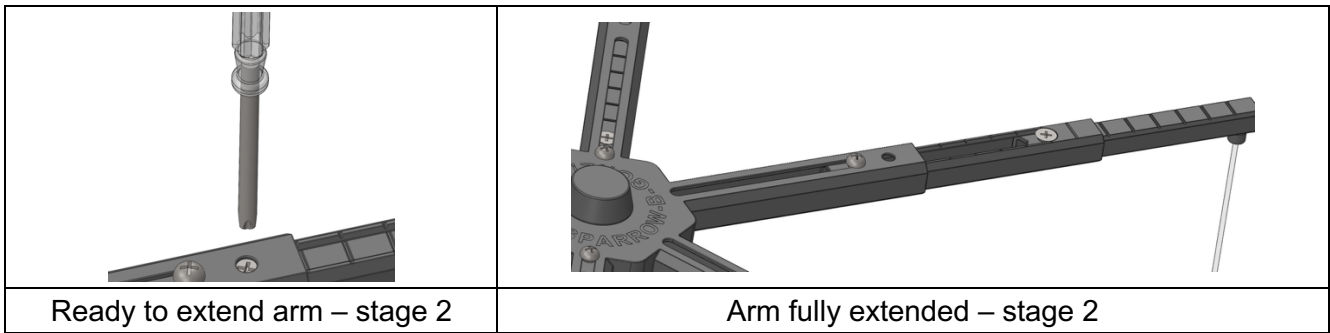
### Step 4: Adjusting Sparrow-B-Gone

#### Changing Arm Length

Sparrow-B-Gone has two levels of arm length extension. You can add up to 2 ½" to the length of any arm by loosening the round head Phillips head screw and pulling the two inner arm sections together to the desired length. Tighten the round head screw fully when it is adjusted to the desired size.

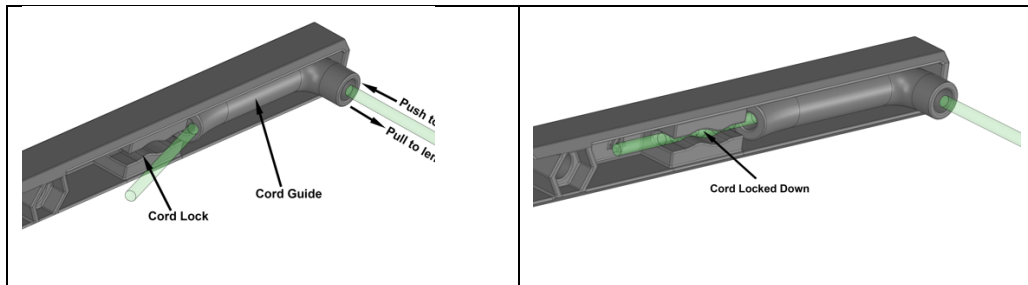
If you want to extend the arms even more, start by fully extending the arms as indicated above. You will then see the head of the flat head screw used for the second stage adjustment through a small hole at the end of the outer arm. Loosen the flat head screw slightly until you can pull the inner arm out to the desired length. Then tighten the flat head screw when it is adjusted to the desired size.





### **Adjusting cord length**

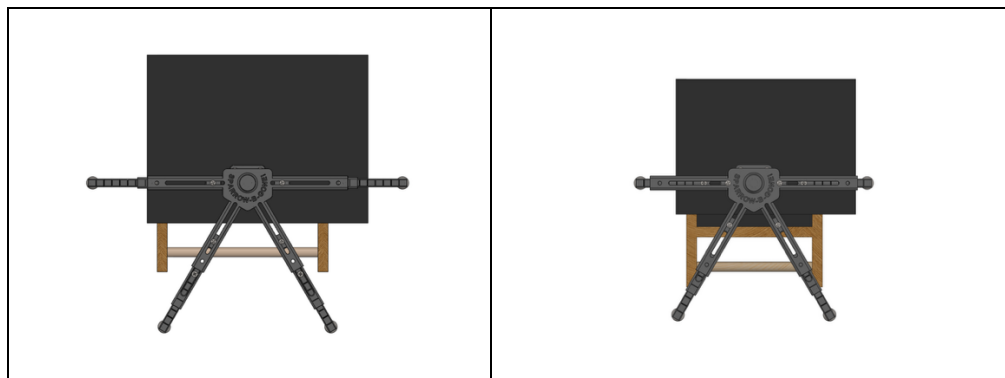
While the main product feature that scares away house sparrows is the reflective cords, it is likely that the reflective round ball weights might help as well. We generally recommend that the ball weights hang 2 to 3 inches below the bottom of the feeder or house. Adjusting the length of the cord is easy – just push or pull the cord where it comes out the bottom of the inner arm, as shown below. Note that initially, the end of the cord is above the cord lock. This makes it easy to move the cord in or out to adjust length. Once you are satisfied with the length, you should push the cord down into the cord lock and trim excess length with scissors. We recommend that you leave at least 1/2” of cord sticking out beyond the end of the cord lock.



Since this Sparrow-B-Gone product is designed to work with both Birdfy Bamboo and Birdfy Bamboo Mini products, the cords will need to be cut. We generally recommend that the ball weights be a couple of inches below the bottom of the feeder. The pictures on the top of these instructions shows you the recommended cord length for the two products.

Note: initially the cords will be curved because of the way they are coiled in the package. The cords will gradually straighten out over a few days. It does take longer to straighten fully in cold weather, as you might expect.

Here are top views showing how Sparrow-B-Gone! for Birdfy Bamboo / Mini would typically be adjusted around the Bamboo and the Bamboo Mini bird feeders:



## ***What Happens Next?***

As you probably know, when you first put out a new bird feeder or bird house, many birds are initially afraid of it. It can take up to two weeks for them to overcome their fear and start using the new feeder or house. The same thing may happen when you add Sparrow-B-Gone to your bluebird house.

**Enjoy!**





Sparrow-B-Gone!  
for Birdfy Bamboo Feeders  
Model SBG-SFYB