



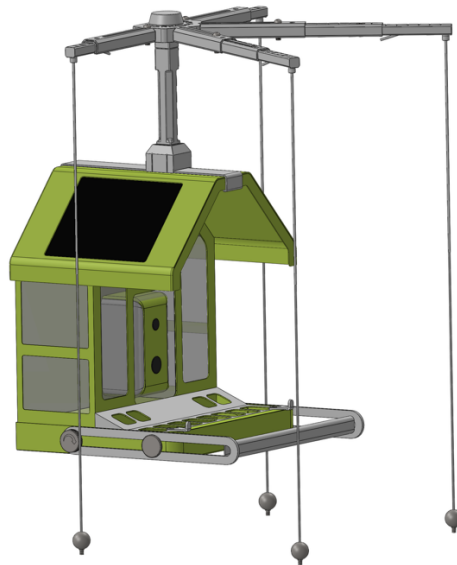
SPARROW-B-GONE!™

Send your house sparrows packing!

Sparrow-B-Gone!™* for Birdfy Metal™*

Model SBG-SFYM

Thank you for purchasing Sparrow-B-Gone!™ - your house sparrows' worst nightmare! Sparrow-B-Gone! Model SBG-SFYM is specifically designed to work with the Birdfy Metal product. When fully installed, this is what a Birdfy Metal feeder with Sparrow-B-Gone! installed looks like:



In your package:

Sparrow-B-Gone! Top	Roof mount assembly, cover, top cap	Connecting Rod	Screwdriver

* Sparrow-B-Gone! is a trademark of Synnovation LLC. Birdfy is a registered trademark of Netvue Inc. Sparrow-B-Gone! is not an official add-on of any Netvue Inc. product and Synnovation LLC is not in any way affiliated with, sponsored, or endorsed by Netvue Inc.

Step 1: Attach Roof Mount Base to Birdfy Metal Roof

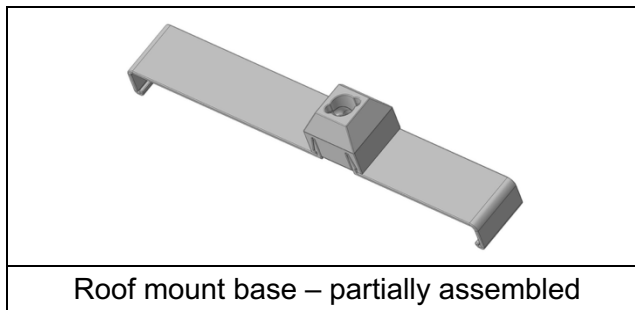
(If your Birdfy Metal feeder is already set up outside, you will want to bring it inside to attach Sparrow-B-Gone. If it is cold outside, let the Birdfy Metal feeder warm up to room temperature before starting the installation.)

Sparrow-B-Gone attaches to the top of the Birdfy Metal roof. The product includes: 1) a roof mount base that snaps on to the roof of the feeder, 2) a connecting rod that can easily be inserted into or removed from the roof mount base, and 3) a four-arm version of Sparrow-B-Gone that is connected to the top of the connecting rod. The connecting rod that comes with your Sparrow-B-Gone product positions Sparrow-B-Gone about four inches above the top of the Birdfy Metal roof.

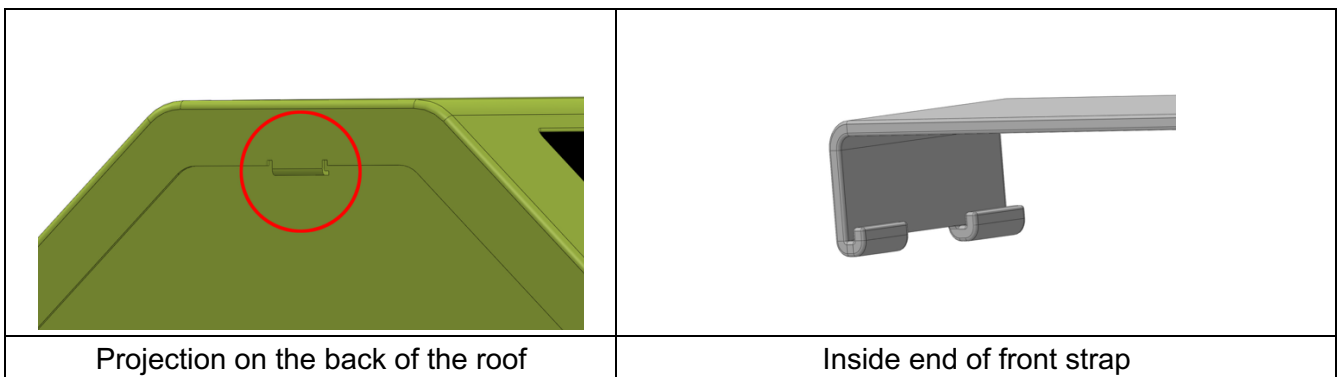
Install the Roof Mount Base

The Birdfy Metal roof mount base snaps on to the roof. The bottom of the roof mount base includes a non-slip pad to prevent it from moving around once snapped into place.

The roof mount base comes partially assembled, as shown below.



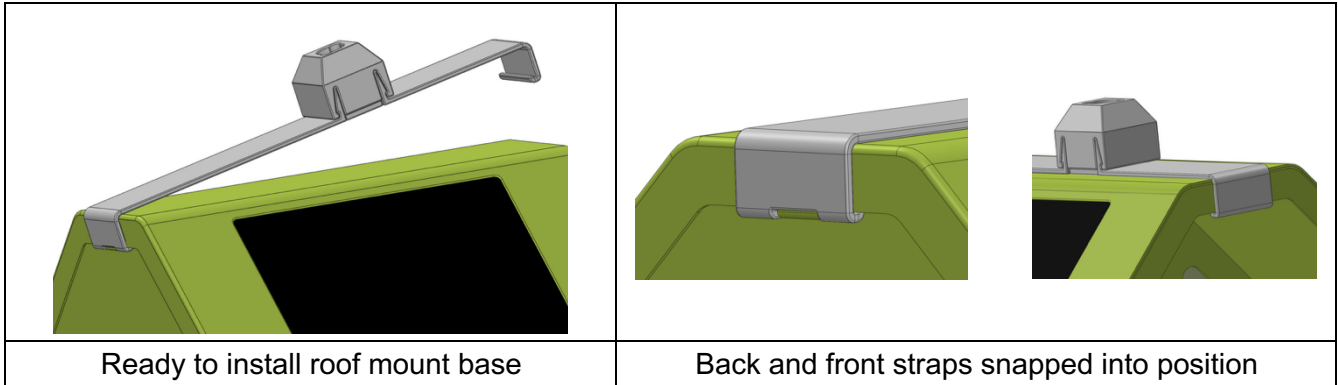
Note that there is a curved projection on the back roof. There is a matching cutout on the inside of the back strap that aligns with this roof projection.



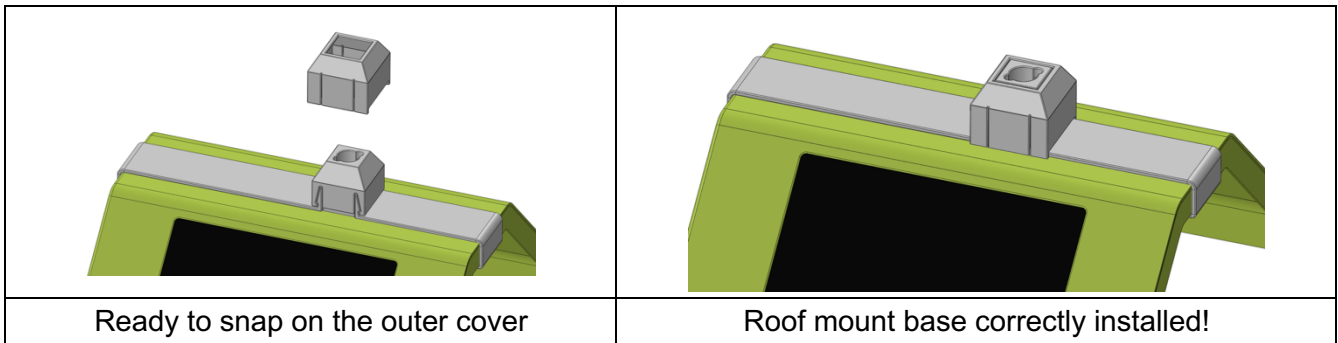
IMPORTANT: The roof mount base has a shorter front strap and a longer back strap. When you are ready to install the roof mount base, make sure that the shorter part of the roof mount base is at the front of the feeder.

To install the roof mount base, first make sure it is aligned correctly so that the projection on the roof back and the notch on the inside end of the back strap are aligned. Then rotate the roof mount base until flush with the roof and the front part of the roof mount base has snapped into position. Push

down the center part firmly to make sure that the roof mount kit is connected to the roof of the Birdfy Metal feeder. When correctly installed, the roof mount kit will be tightly connected to the Birdfy Metal roof.

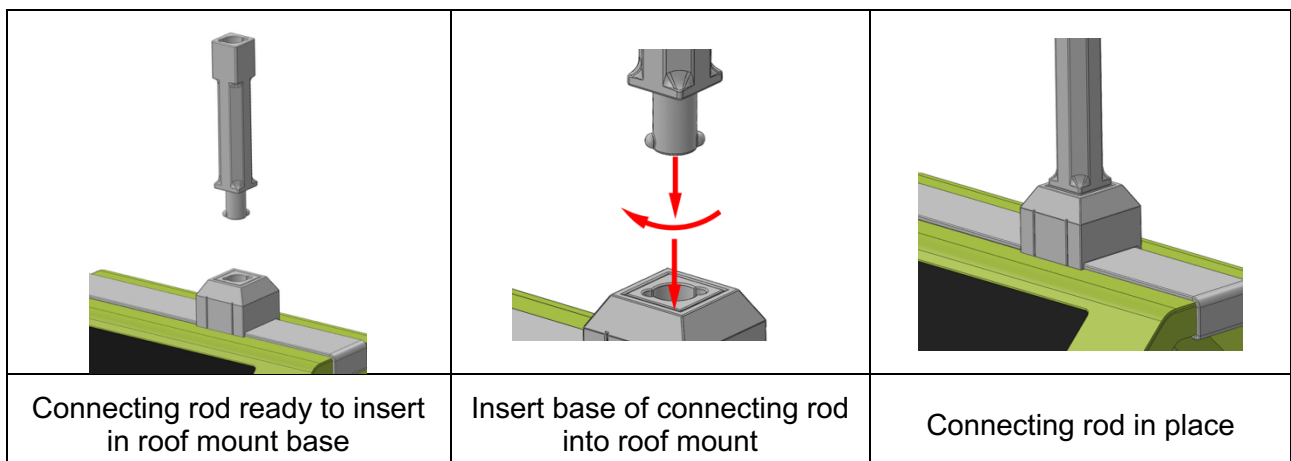


The final installation step is easy. Just snap the outer cover into place, as shown below.



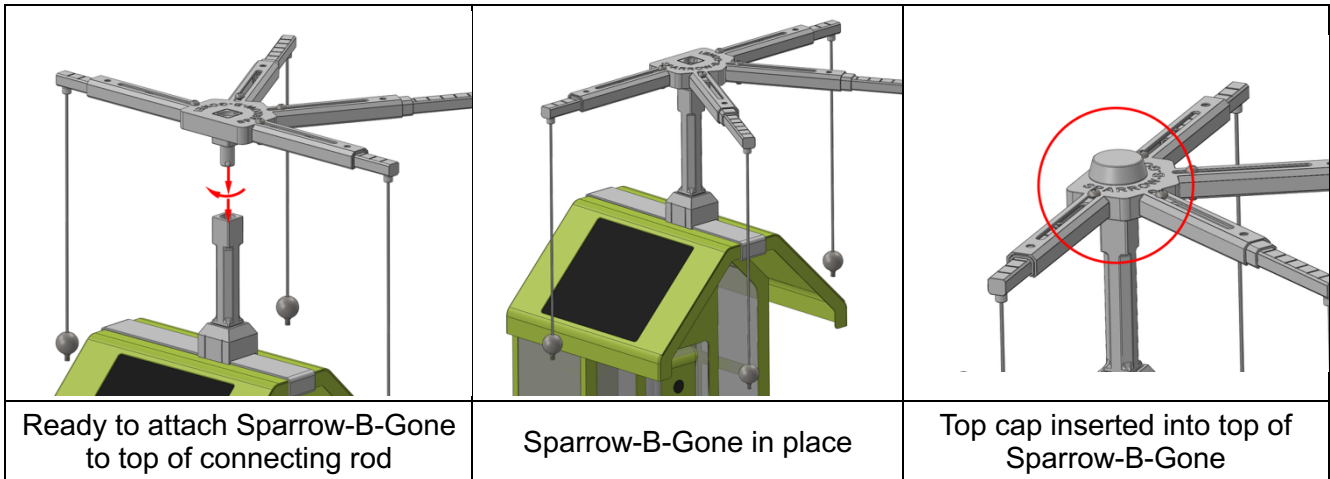
Step 2: Attaching Connecting Rod to Roof Mount Base

To make it easy to fill and clean your Birdfy feeder, Sparrow-B-Gone use a simple socket-based connecting system that makes it very easy to connect or disconnect parts. Once the roof mount base is in place, the next step is attaching the connecting rod to the roof mount base. This is done by inserting the bottom of the connecting rod into the socket, rotating it 1/4 turn, and then pushing it down into place as shown in the left picture below. Separating the connecting rod from the roof mount base is done by reversing this process: pull the bottom of the connecting rod up slightly, rotate it 1/4 turn the other direction, and it easily will lift out of the roof mount base.



Step 3: Attaching Sparrow-B-Gone! to Connecting Rod

Once the connecting rod is attached to the roof mount base, the next step is attaching the main part of the Sparrow-B-Gone product to the top of the connecting rod. This uses the same simple attachment system as is used to attach the connecting rod to the roof mount base, as is shown below. Start by rotating the four-arm top as shown in the first picture below. As you push it in, it will rotate 90 degrees and drop into place in the correct orientation, as shown in the second picture. The final step is to add the top cap to cover the socket on the top of the main Sparrow-B-Gone product using the exact same push-twist-push motion.



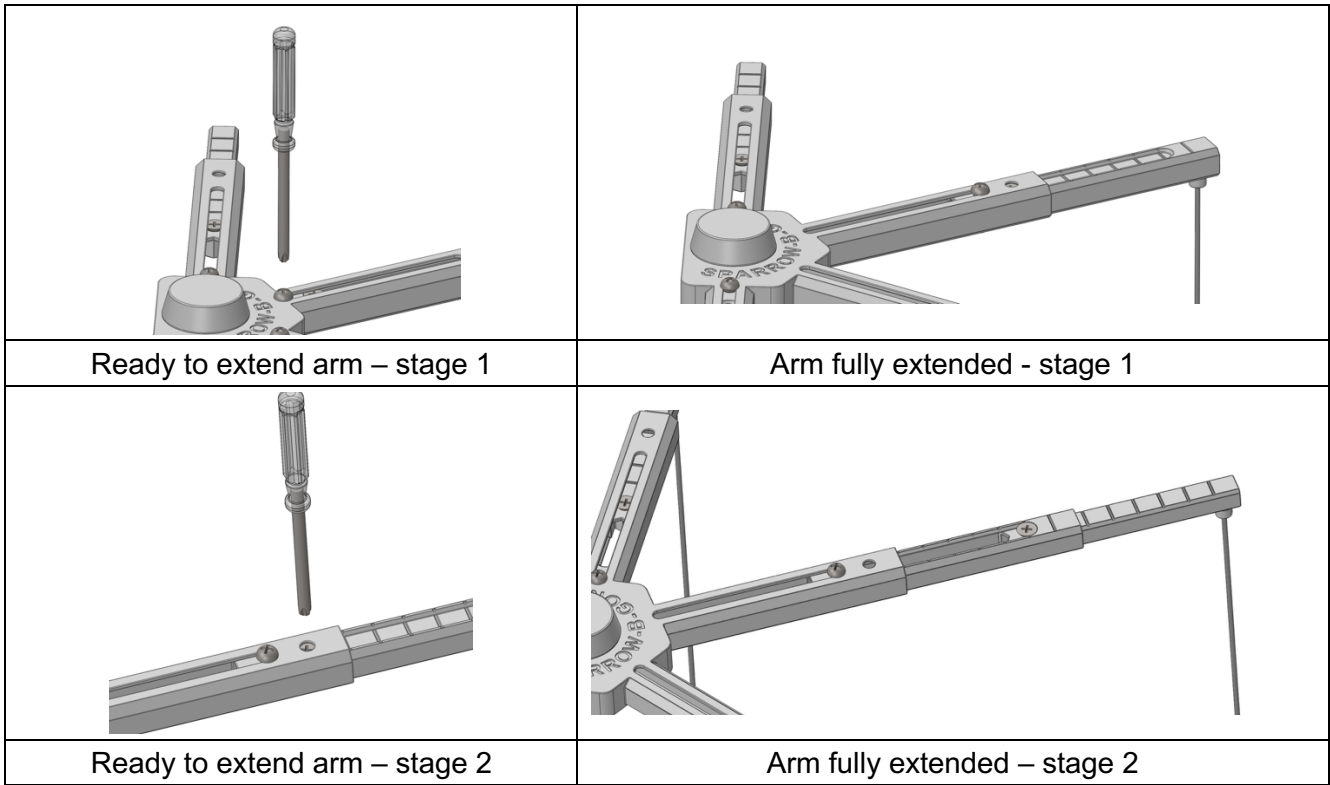
At this point, you might be wondering why there is a socket on top of the Rain-B-Gone product. We will soon be releasing a new product line called Katie Tops™ that are fun and colorful toppers that drop into the top socket and are easily changed out for different ones. There will be Katie Tops with a seasonal focus as well as many cute birds and other animals. Check out our Etsy store (sparrowbgone.etsy.com) or our website (Sparrow-B-Gone.com) for further details.

Step 4: Adjusting Sparrow-B-Gone

Changing Arm Length

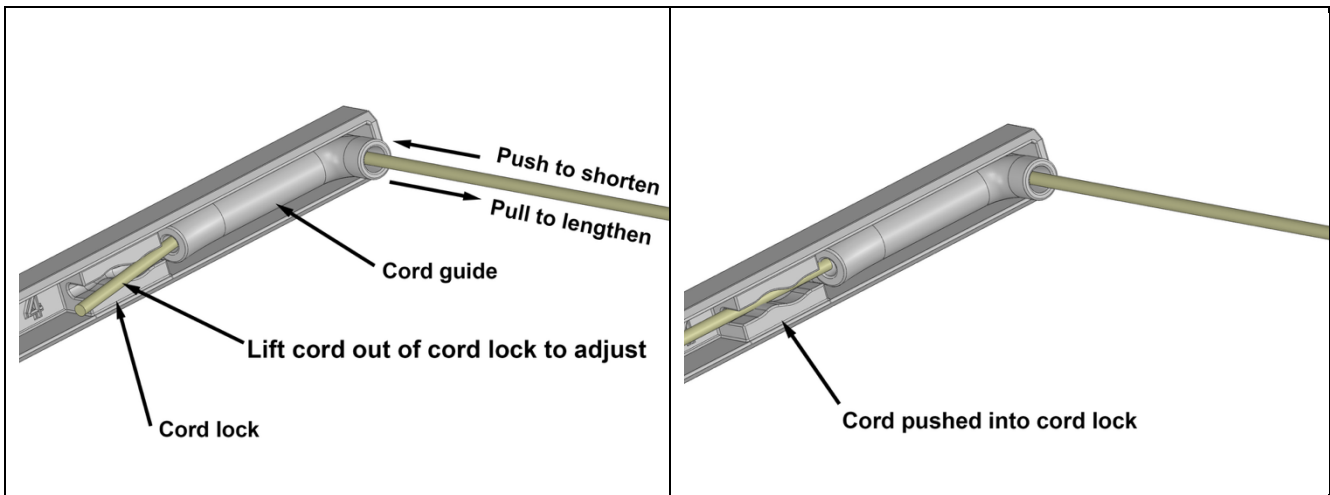
Sparrow-B-Gone has two levels of arm length extension. You can add up to 2 ½" to the length of any arm by loosening the round head Phillips head screw and pulling the two inner arm sections together to the desired length. Tighten the round head screw fully when it is adjusted to the desired size.

If you want to extend the arms even more, for example if you have added extensions to the Birdfy Metal feeding platforms, first fully extend the arms as indicated above. You will then see the head of the flat head screw used for the second stage adjustment through a small hole at the end of the outer arm. Loosen the flat head screw slightly until you can pull the inner arm out to the desired length. Then tighten the flat head screw when it is adjusted to the desired size.



Adjusting cord length

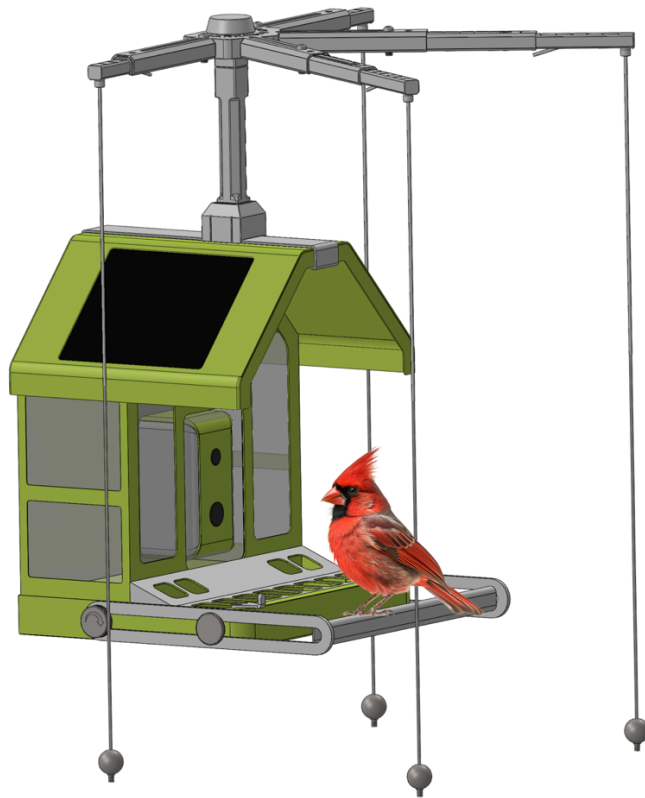
If you are using the longer universal connecting rod assembly that comes with your product, the hanging cords included with your product are already set to the length that we believe is optimum to discourage house sparrows from landing on the Birdfy Metal feeder. However, if you decide to make the cords a little shorter, adjusting the length of the cord is easy. First, lift the end of the cord out of the cord lock using your fingers or the screwdriver that came with your product. Once this is done, you can easily adjust the length of the cords by just pushing or pulling the cord where it comes out the bottom of the inner arm, as shown below. Once you are satisfied with the cord length, you should push the cord down into the cord lock and trim the excess length with heavy duty scissors or a wire cutter. We recommend that you leave at least 1/2" of cord sticking out beyond the end of the cord lock.



What Happens Next?

As you probably know, when you first put out a new bird feeder, many birds are afraid of it. It can take up to two weeks for them to overcome their fear and start using the new feeder. The same thing may happen when you add Sparrow-B-Gone to an existing feeder. In our experience, and that of our customers, birds like gold finches, house finches, and chickadees have little or no fear of Sparrow-B-Gone and will return to the feeder quickly. Cardinals are a bit more cautious. We recommend giving it two full weeks to see how Sparrow-B-Gone will work for you. There is a 30 day return policy on the product for exactly this reason. Overall, Sparrow-B-Gone should reduce your house sparrow problems by at least 90%.

Enjoy!



Sparrow-B-Gone!
for Birdfy Metal Feeders
Model SBG-SFYM