



SPARROW-B-GONE!™

Send your house sparrows packing!

Sparrow-B-Gone! - Model SH

Thank you for purchasing Sparrow-B-Gone!™ - your house sparrows' worst nightmare! Sparrow-B-Gone! model SBG-SH is a flexible product that can easily be adjusted in size to protect almost all hanging smart camera feeders, as long as the length or width doesn't exceed 14 inches. Examples of smart feeders that SBG-SH can protect include BirdBuddy feeders (regular and solar roof), BirdBuddy 2, Birdfy Metal V, and Birdfy Metal S.



Sparrow-B-Gone! Model SH is available in white, black, and natural.

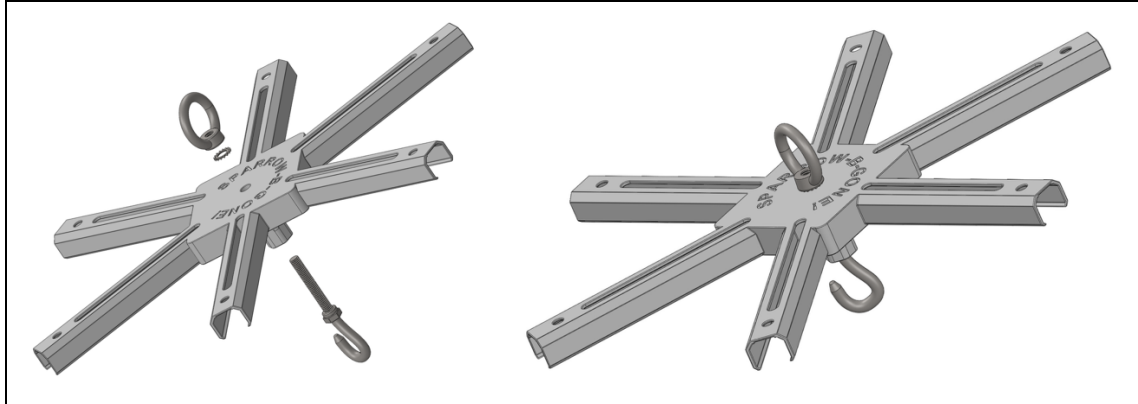
Environmental Note: All the plastic bags that the parts come in are completely recyclable at any grocery store or other location that accepts #2 and #4 plastic bags for recycling. The shipping carton is easily recycled as well.

In your Bag

<p>Sparrow-B-Gone!</p>	<p>Top Loop, J-Hook, and Lock Washer</p>	<p>Screwdriver</p>	<p>Reusable Zip Tie</p>

Attach J-Hook, Lock Washer, and Top Loop to Sparrow-B-Gone!

Insert the J-hook through the bottom of Sparrow-B-Gone!, place the lock wash onto the top of the J-hook, and screw the top loop onto the top of the J-hook by hand until snug.

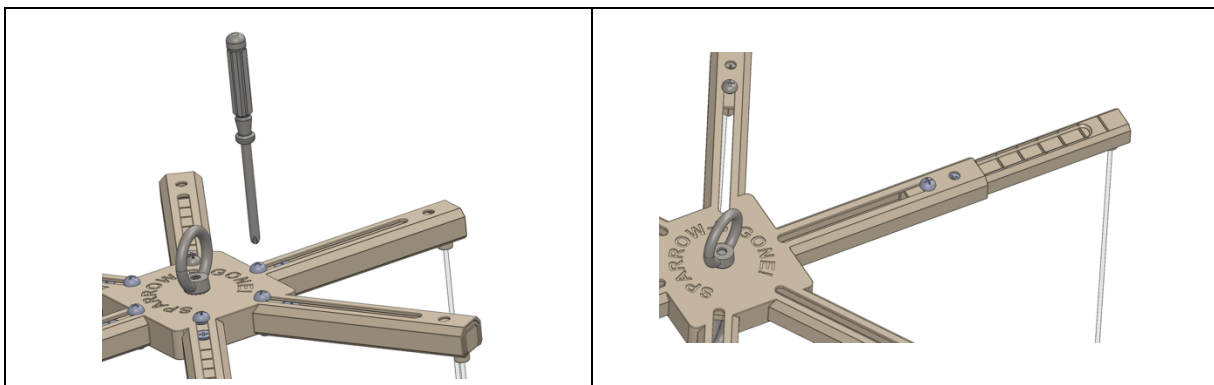


Changing the Sparrow-B-Gone! size (if needed)

Sparrow-B-Gone! is a flexible product that can easily be adjusted in size to fit many hanging smart camera feeders. The SBG-SH can be adjusted to fit rectangular feeders up to about 14 inches in length or width. hanging cord length is about 18 inches long and can be shortened as needed.

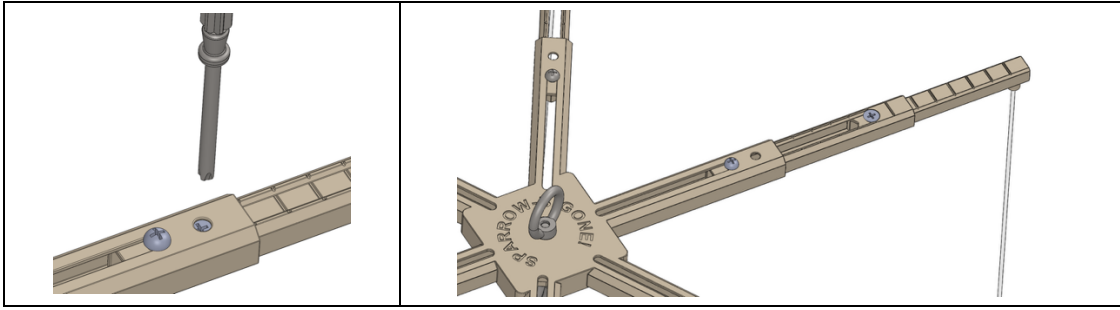
Adjusting the size: Level 1

Two screws can be used to adjust the size of Sparrow-B-Gone! to fit your specific bird feeder. The first screw (round head) allows the maximum size to be adjusted from about 9 to 12 inches. To increase the size, just loosen the round head screw slightly and pull gently on the bottom end of the arm where the cord comes out. Tighten the screw fully when it is adjusted to the desired size.



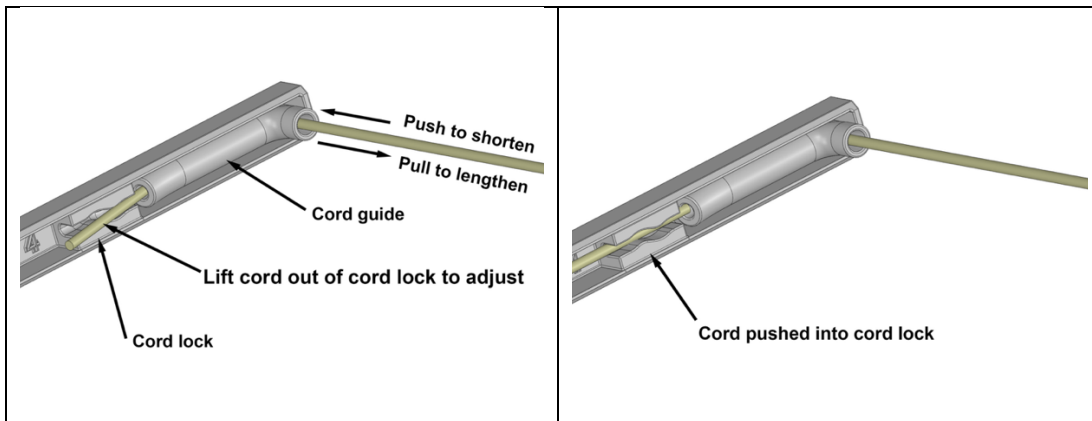
Adjusting the size: Level 2

If you need to expand the size of Sparrow-B-Gone! even further, first, fully extend the arms using the round head screw and tighten it snugly. You will then see the head of the flat head screw used for the second stage adjustment. Loosen the flat head screw slightly until you can pull the inner arm out to the desired length. Tighten fully when it is adjusted to the desired size. This will allow the maximum size to be increased to about 16 inches.



Adjusting cord length

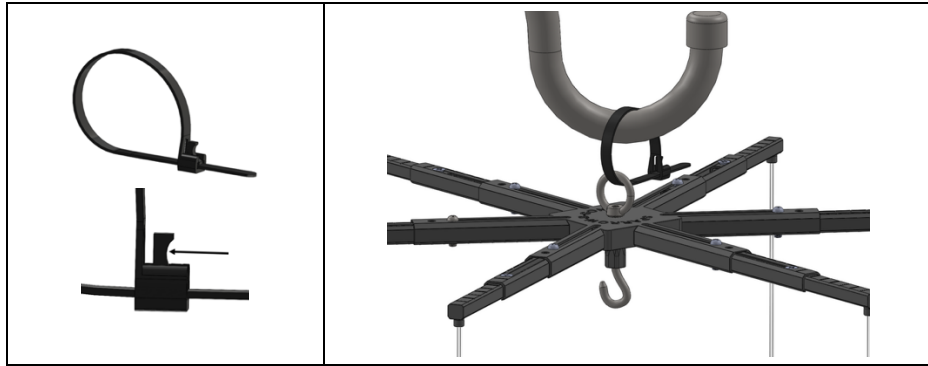
We generally recommend that the length of the cord be adjusted so that the ball weights are a few inches below the bottom of the feeder. Adjusting the length of the cord is easy – just push or pull the cord where it comes out the bottom of the inner arm, as shown below. In order to prevent the cord from pulling loose if a heavy bird clings to the line, there is a wavy Cord Lock just past the end of the Cord Guide (see below). If you want to adjust the length of the cord, start by pulling the cord out of the cord lock. This makes it easy to move the cord in or out to adjust length. Once you are satisfied with the length, push the cord down into the cord lock and trim excess length with scissors. We recommend that you leave at least 1/2” of cord sticking out beyond the end of the Cord Lock in order to make it easy adjust the length in the future, for example if you later move your Sparrow-B-Gone! to a shorter feeder.



Note: If you do cut the cord length and later decide to move your Sparrow-B-Gone! to a longer feeder, we do have replacement cord sets available on our website. Also, if you accidentally pull the cord all the way out, you can easily push the cord back in by gripping the end of the cord with your hands or a pair of pliers and pushing it back through the bottom opening.

Attaching Sparrow-B-Gone! to Pole/Hook/Chain

Since hanging bird feeders can be hung from poles, chains, S-hooks, etc., we have included a special heavy duty removable/reusable zip tie that is UV resistant and should last for many years. Push the lever to open the zip tie and it is ready to attach your new Sparrow-B-Gone!. If you have a very heavy feeder, you may want to use both of the zip ties we provide, but normally one is strong enough to handle almost all feeders.



What Happens Next?

As you probably know, when you first put out a new bird feeder, many birds are afraid of it. It can take up to two weeks for them to overcome their fear and start using the new feeder. The same thing may happen when you add Sparrow-B-Gone! to an existing feeder. In our experience, and that of our customers, birds like gold finches, house finches, and chickadees have little or no fear of Sparrow-B-Gone! and will return to the feeder quickly. Cardinals are a bit more cautious. We recommend giving it two full weeks to see how Sparrow-B-Gone! will work for you. There is a 30 day return policy on the product for exactly this reason.

Also, research has shown that teenage house sparrows are not afraid of sparrow spookers like Sparrow-B-Gone! because, after all, they are teenagers! Fortunately, when they become adult house sparrows, they almost always come to their senses, think back and wonder “what was I thinking going near that scary object?” Overall, Sparrow-B-Gone! should reduce your house sparrow problems by at least 90%.

Enjoy!

